

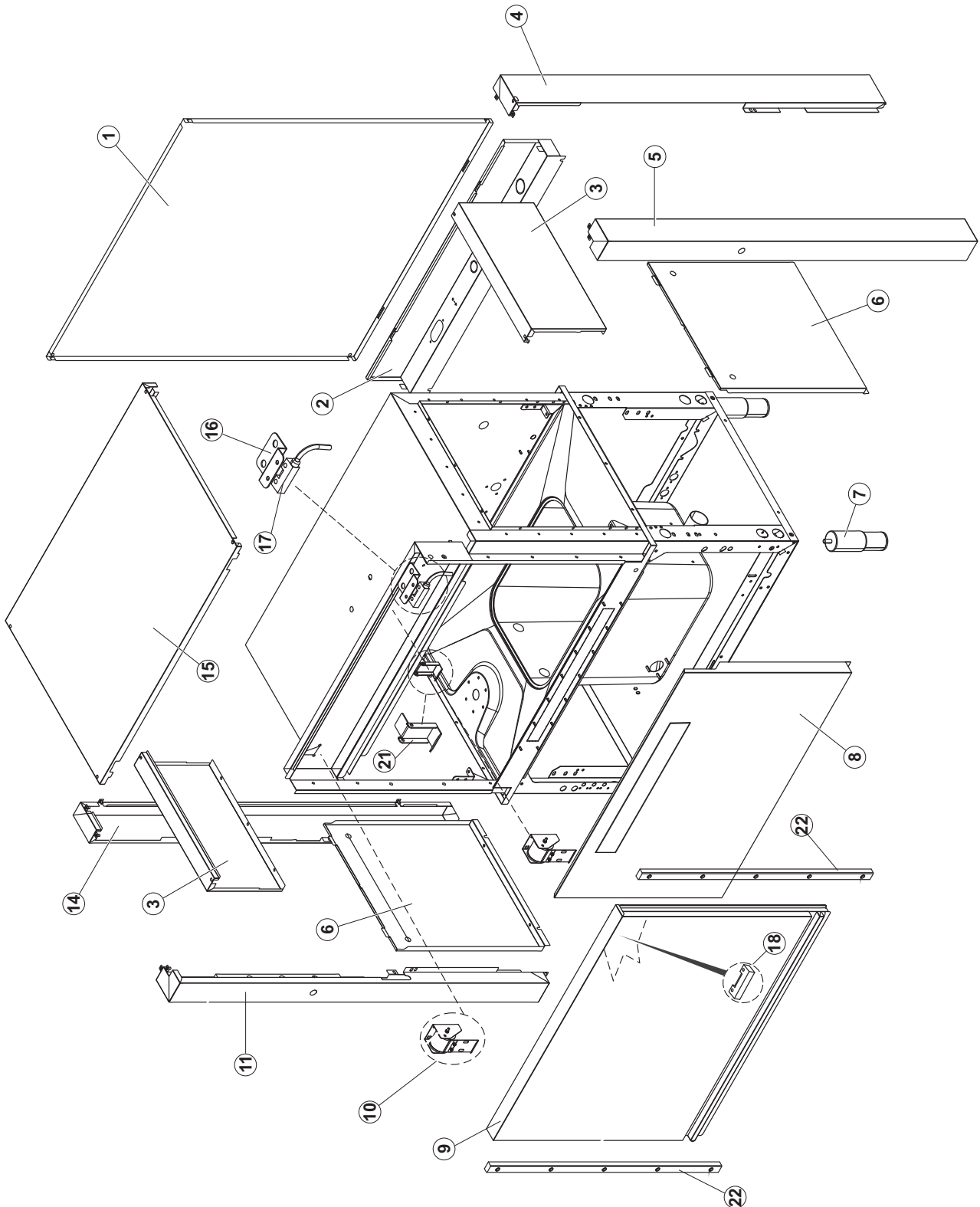
# Exploded view

Explodierte Ansicht | Dessin technique | Rozkres  
Vista en despiece ordenado



A 270 W ABT LX CTTA 9

Exploded view 1/14



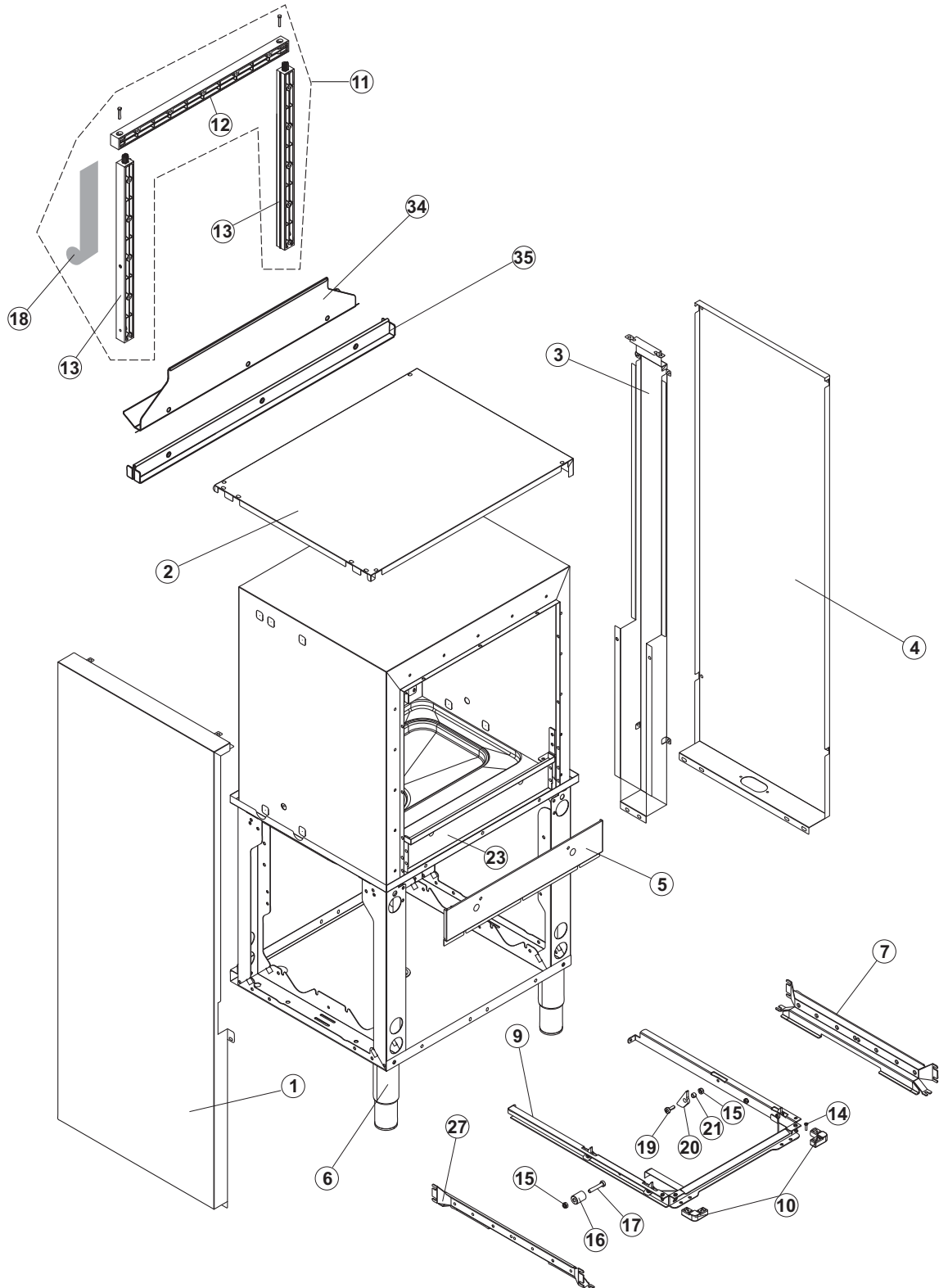
# Exploded view

Explodierte Ansicht | Dessin technique | Rozkres  
Vista en despiece ordenado



A 270 W ABT LX CTTA 9

Exploded view 2/14



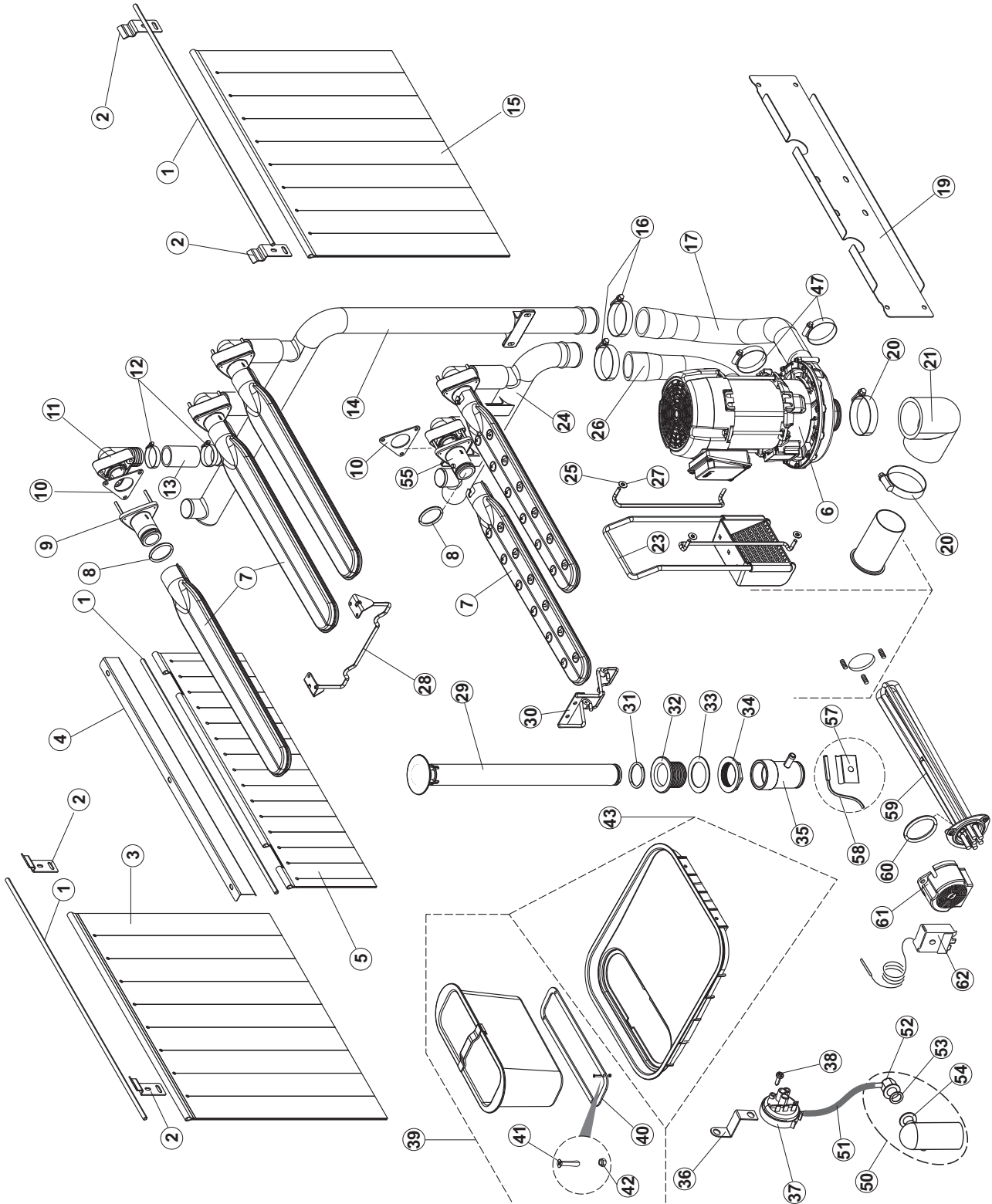
# Exploded view

Explodierte Ansicht | Dessin technique | Rozkres  
Vista en despiece ordenado



A 270 W ABT LX CTTA 9

Exploded view 3/14



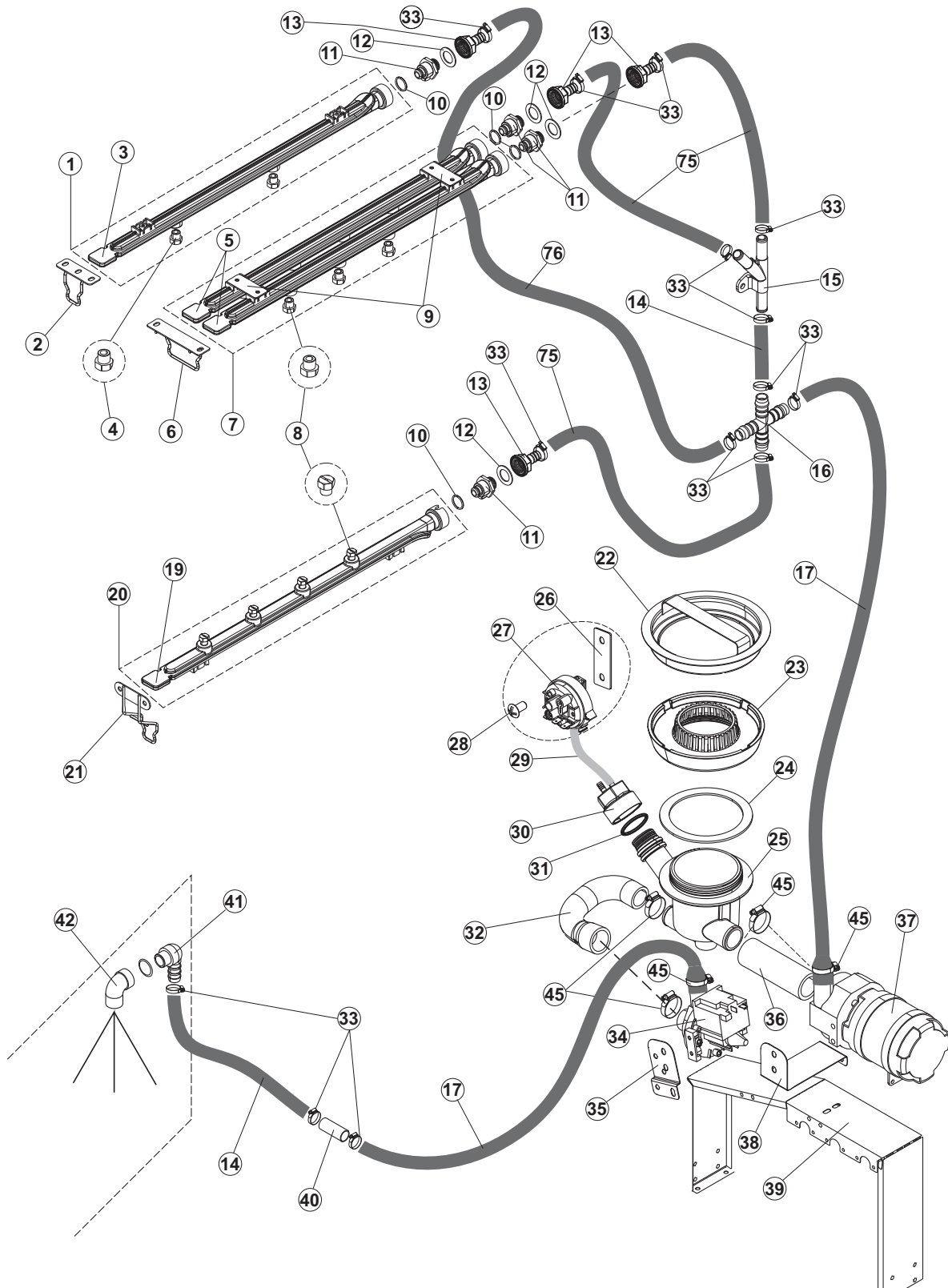
# Exploded view

Explodierte Ansicht | Dessin technique | Rozkres  
Vista en despiece ordenado



A 270 W ABT LX CTTA 9

Exploded view 4/14



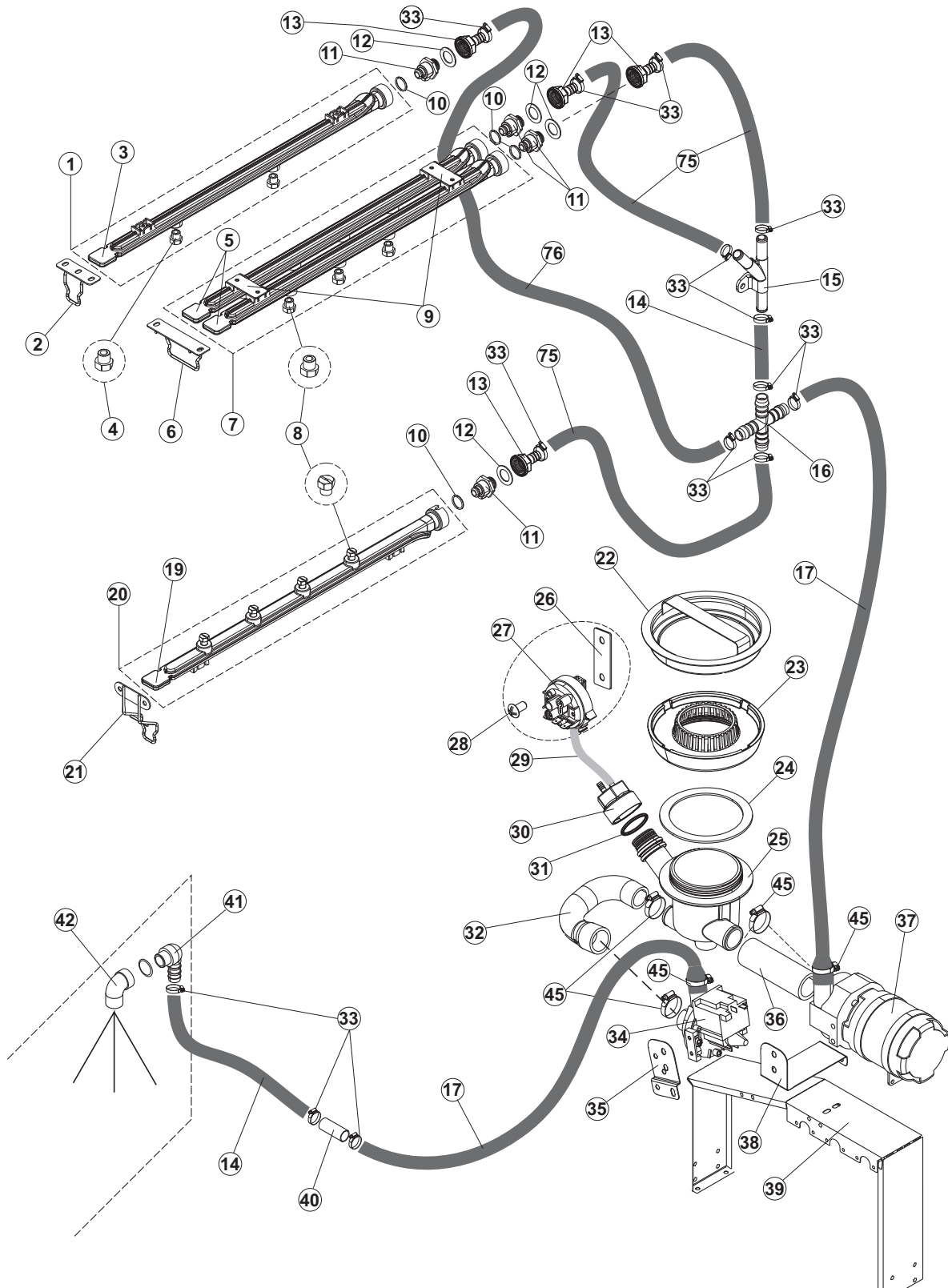
# Exploded view

Explodierte Ansicht | Dessin technique | Rozkres  
Vista en despiece ordenado



A 270 W ABT LX CTTA 9

Exploded view 5/14



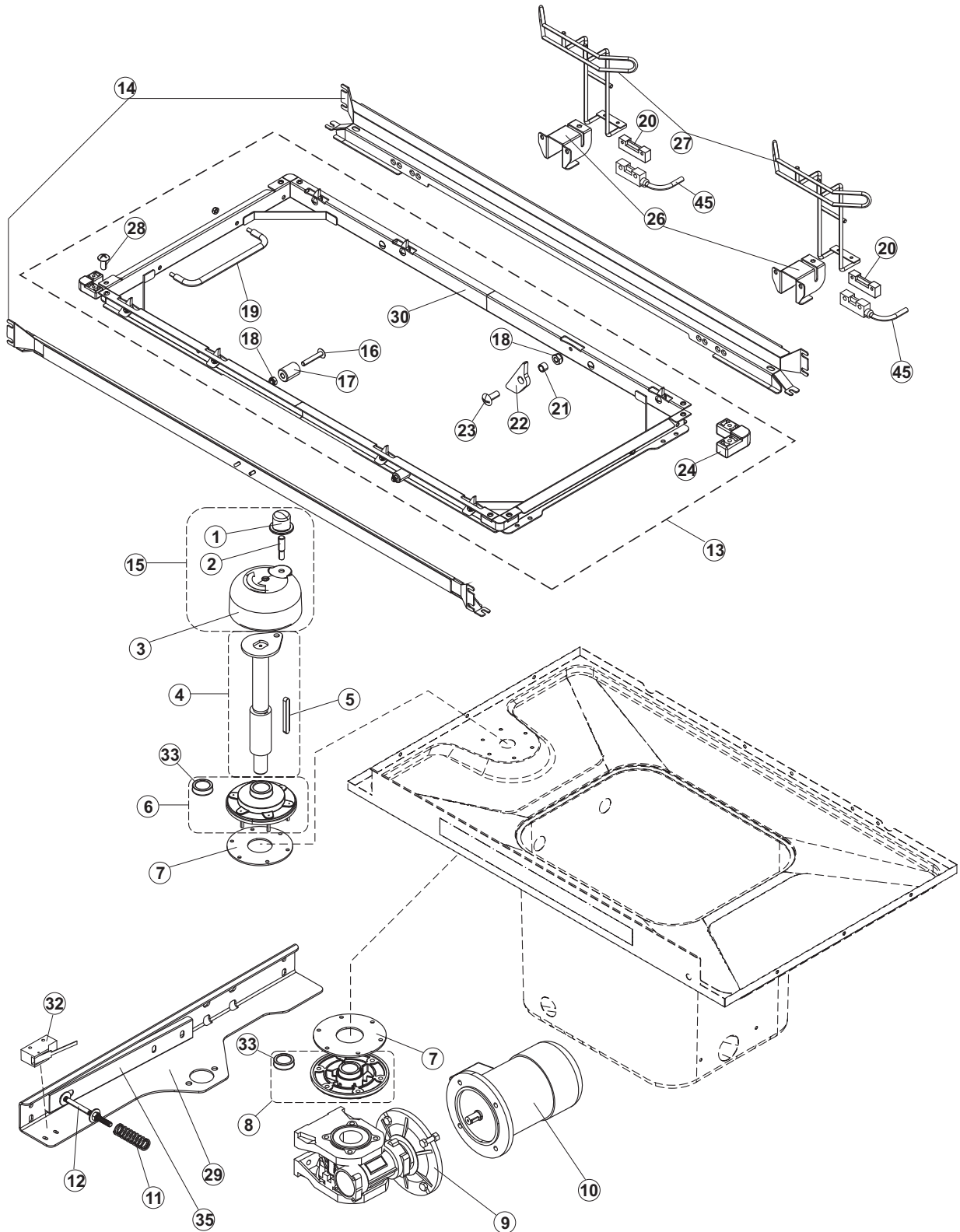
# Exploded view

Explodierte Ansicht | Dessin technique | Rozkres  
Vista en despiece ordenado



A 270 W ABT LX CTTA 9

Exploded view 6/14



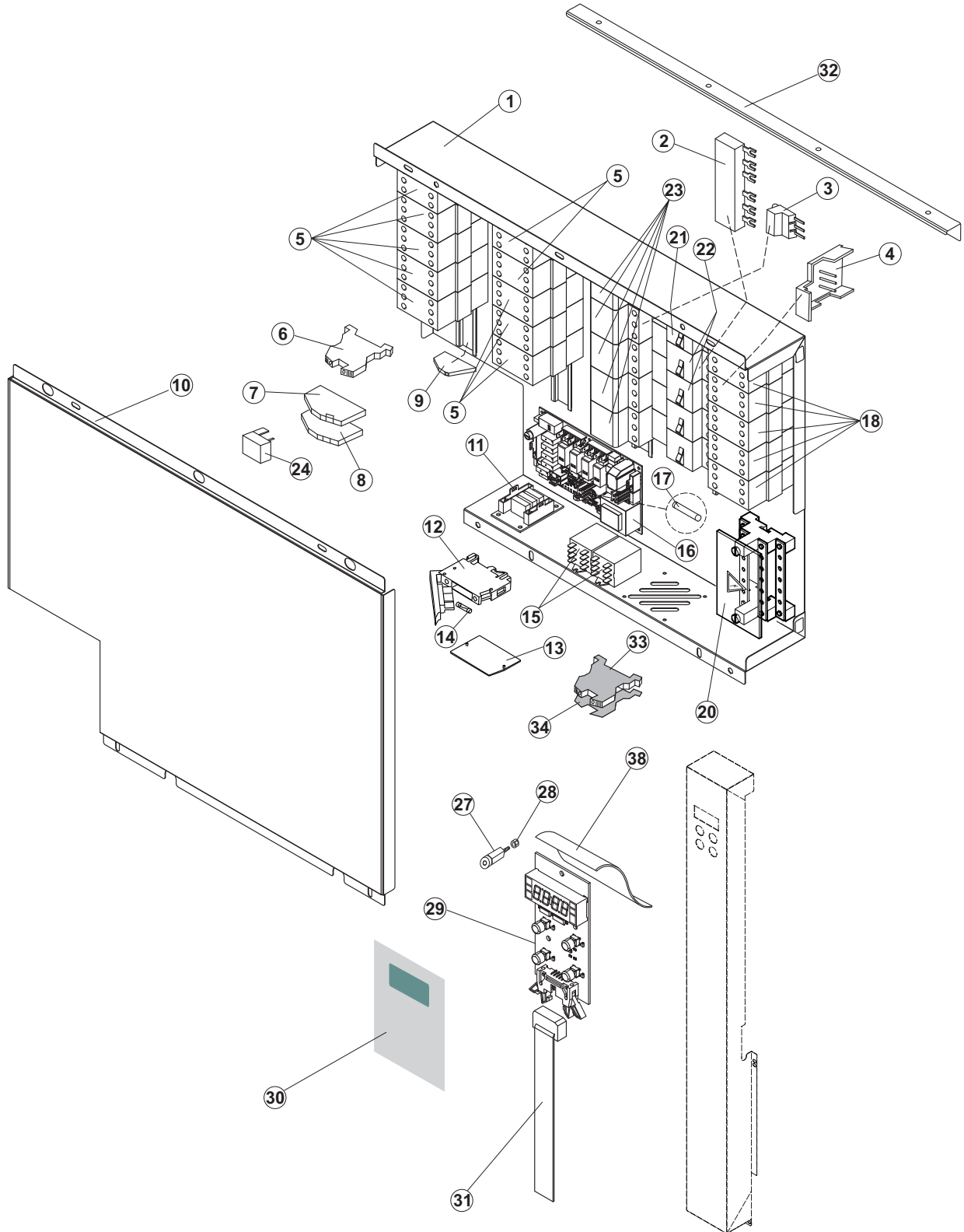
# Exploded view

Explodierte Ansicht | Dessin technique | Rozkres  
Vista en despiece ordenado



A 270 W ABT LX CTTA 9

Exploded view 7/14



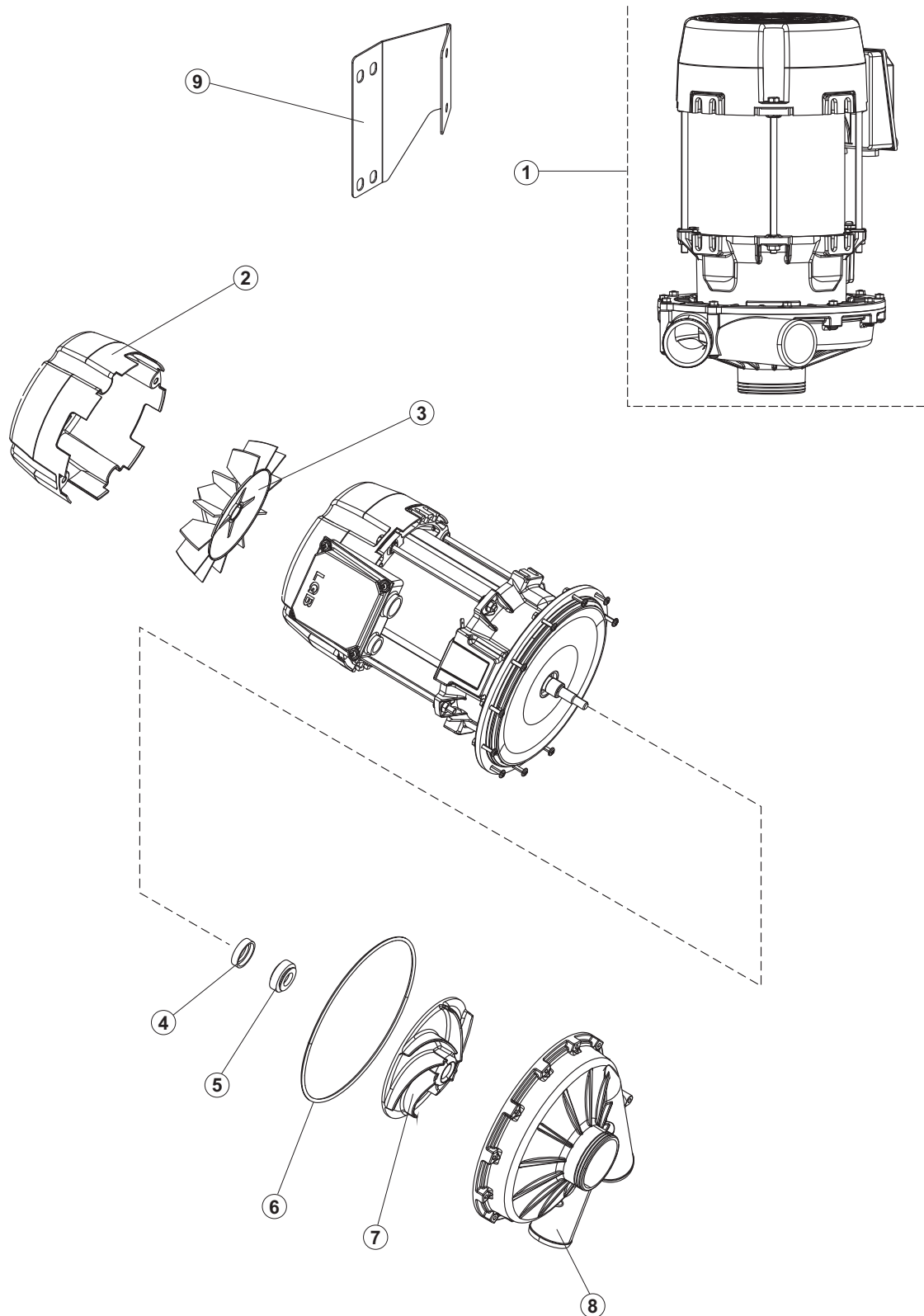
# Exploded view

Explodierte Ansicht | Dessin technique | Rozkres  
Vista en despiece ordenado



A 270 W ABT LX CTTA 9

Exploded view 8/14



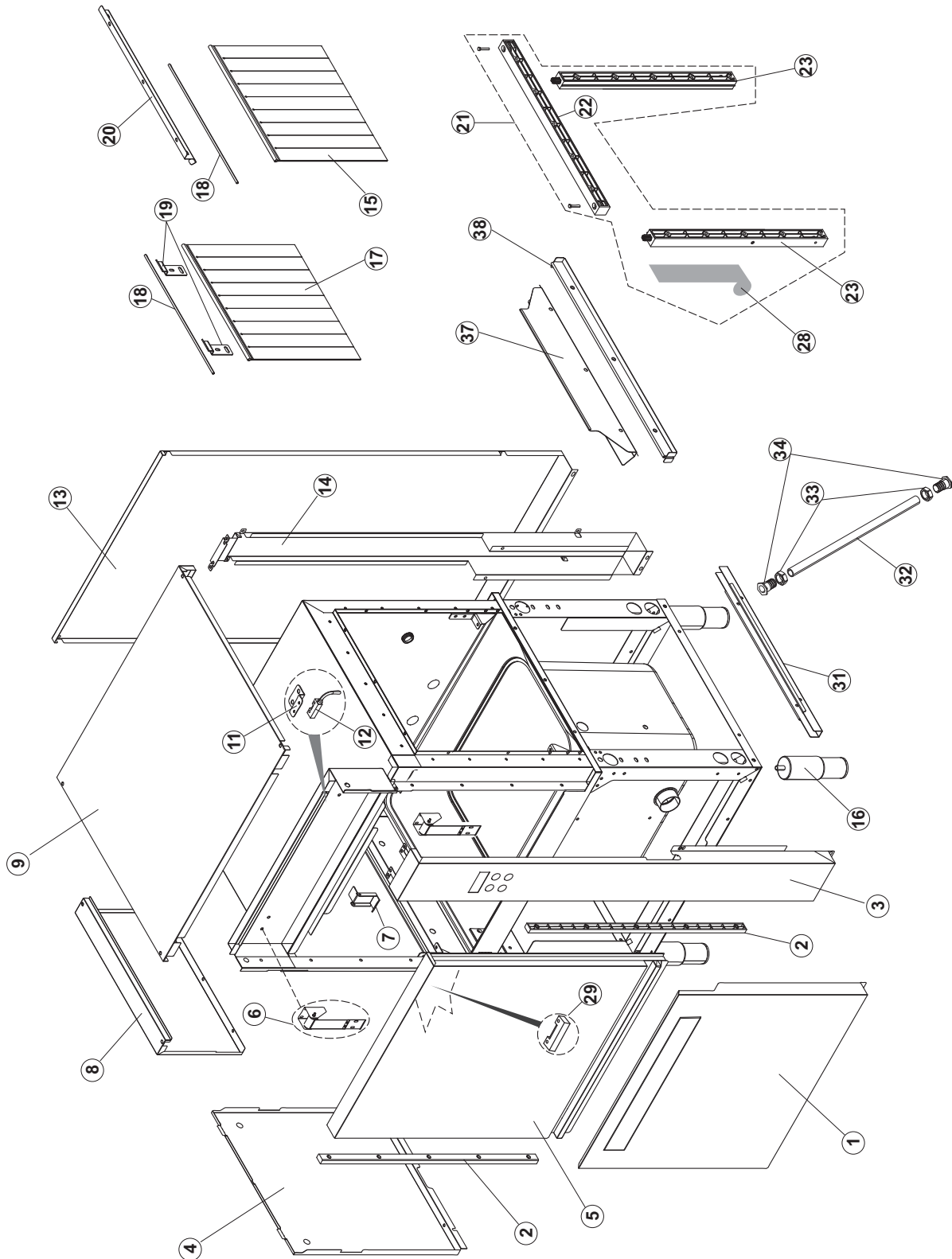
# Exploded view

Explodierte Ansicht | Dessin technique | Rozkres  
Vista en despiece ordenado



A 270 W ABT LX CTTA 9

Exploded view 9/14



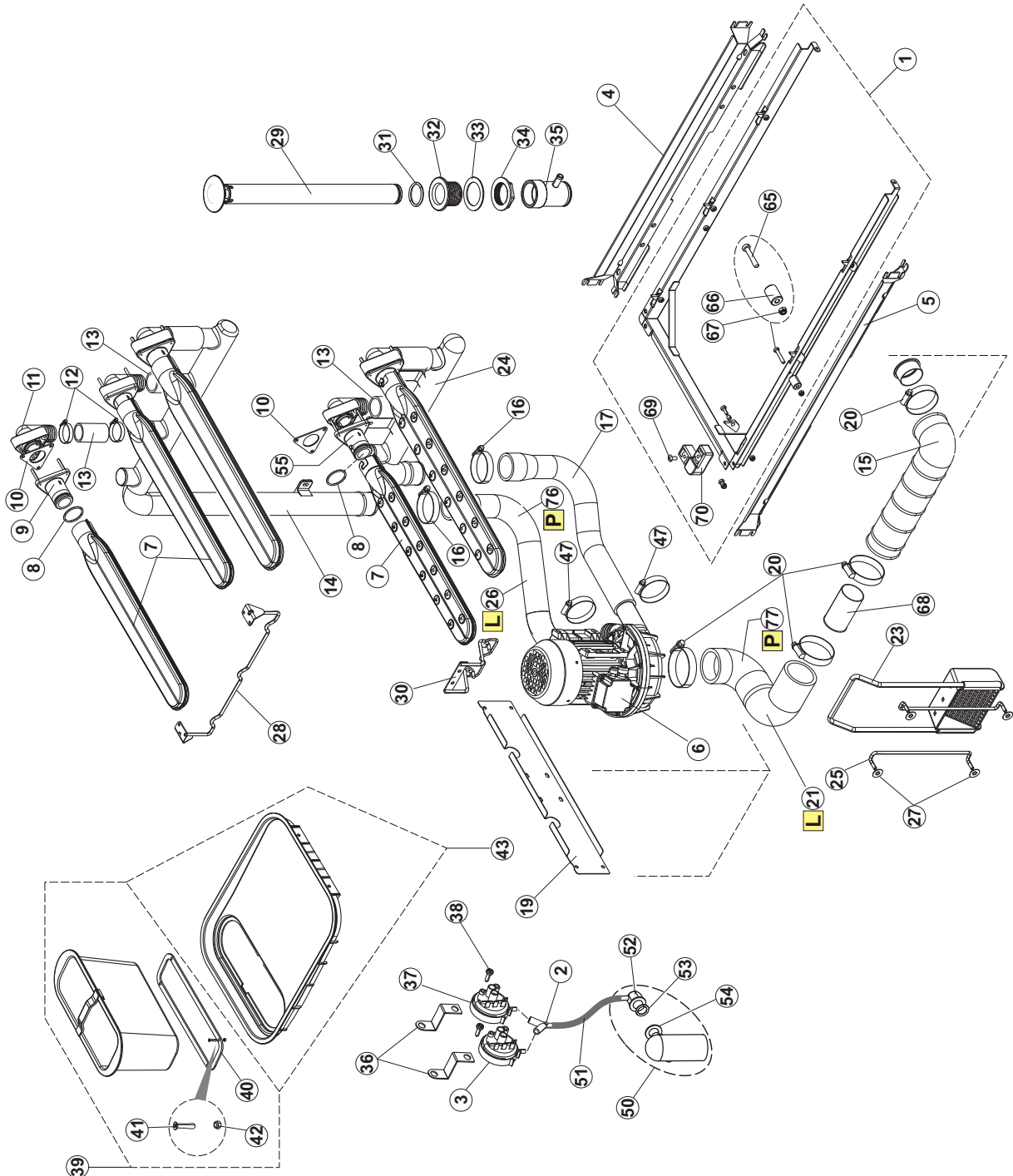
# Exploded view

Explodierte Ansicht | Dessin technique | Rozkres  
Vista en despiece ordenado



A 270 W ABT LX CTTA 9

Exploded view 10/14



<b>L</b>		Výstup vlevo
<b>P</b>		Výstup vpravo

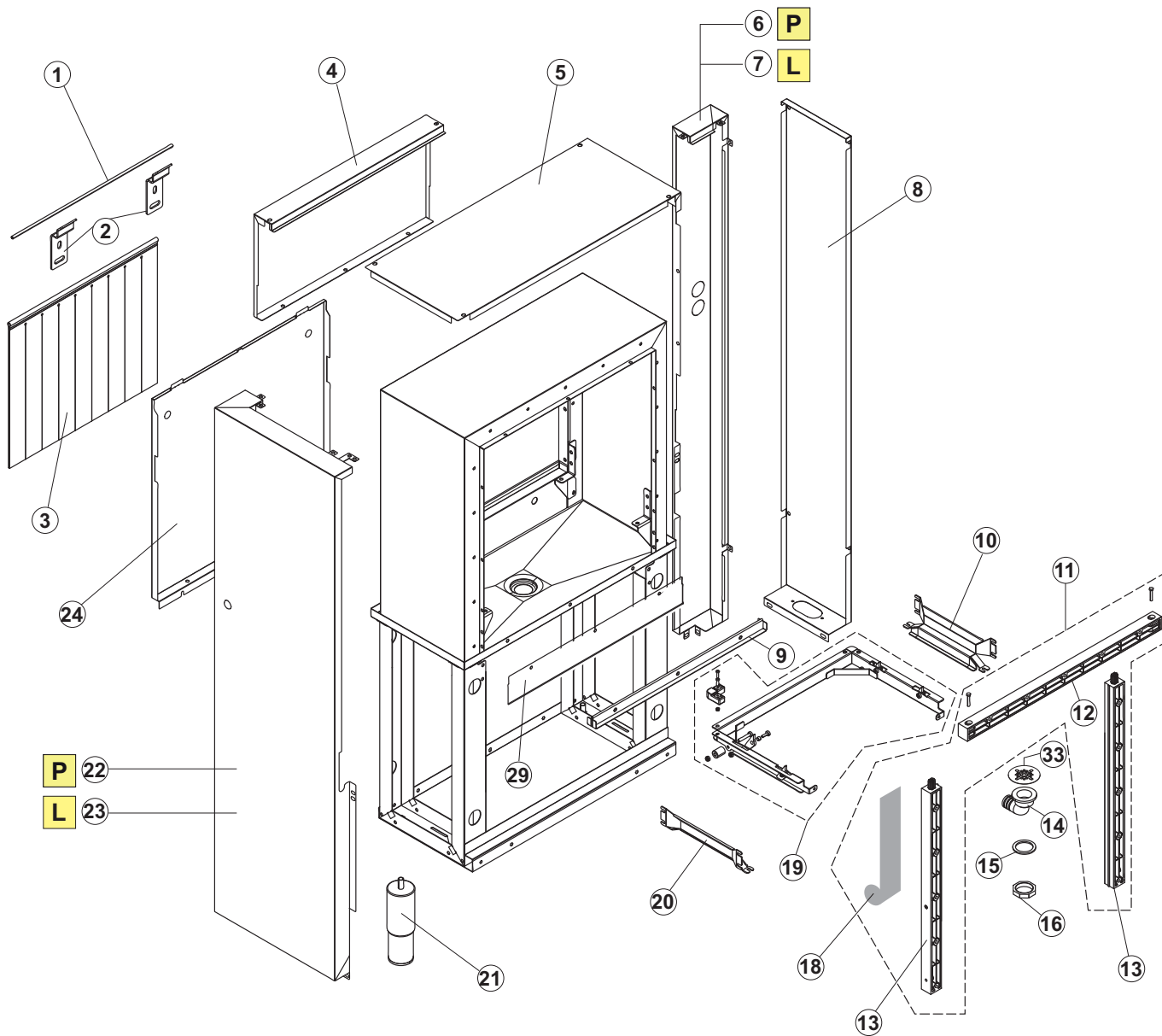
# Exploded view

Explodierte Ansicht | Dessin technique | Rozkres  
Vista en despiece ordenado



A 270 W ABT LX CTTA 9

Exploded view 11/14



<b>L</b>		Výstup vlevo
<b>P</b>		Výstup vpravo

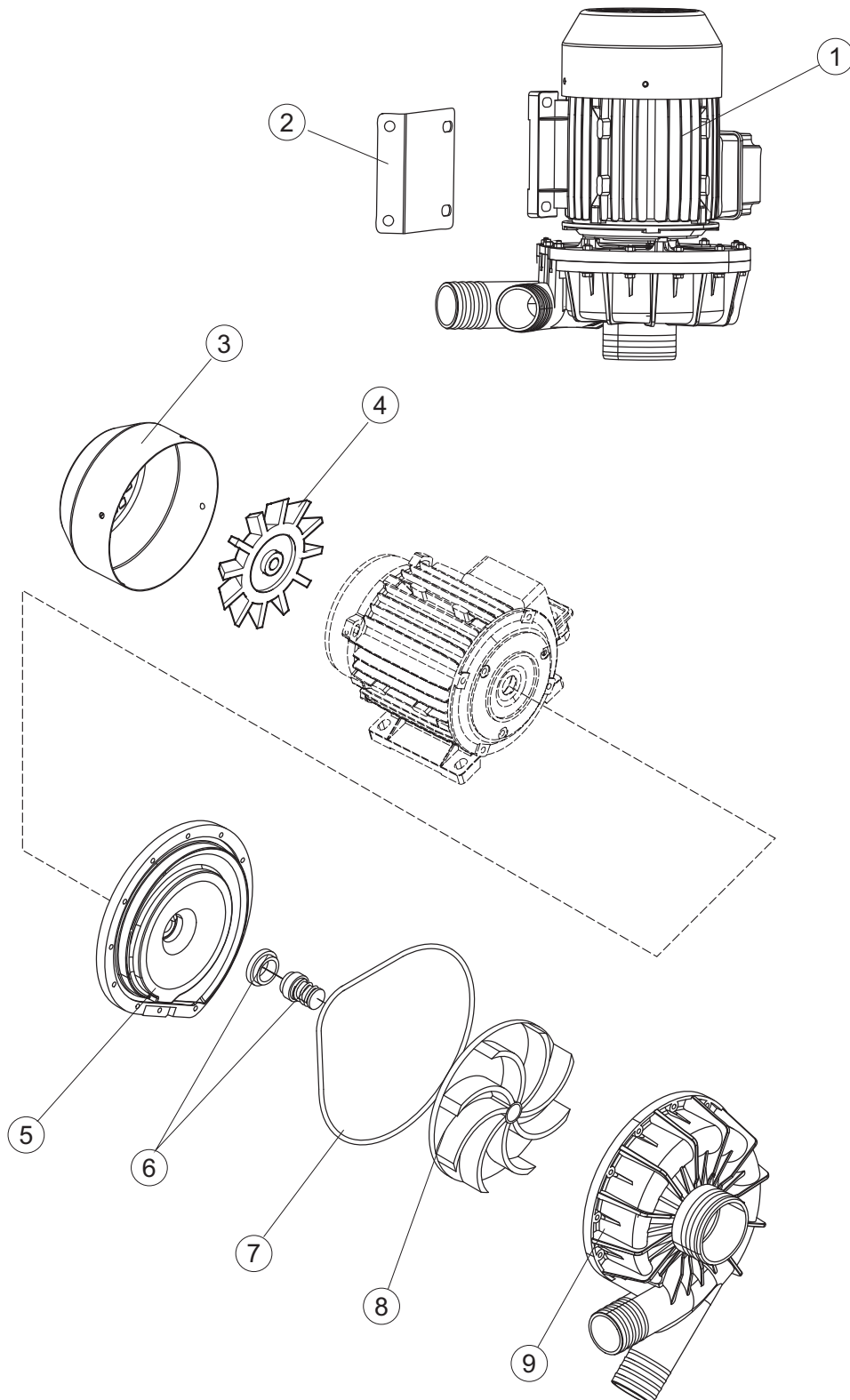
# Exploded view

Explodierte Ansicht | Dessin technique | Rozkres  
Vista en despiece ordenado



A 270 W ABT LX CTTA 9

Exploded view 12/14



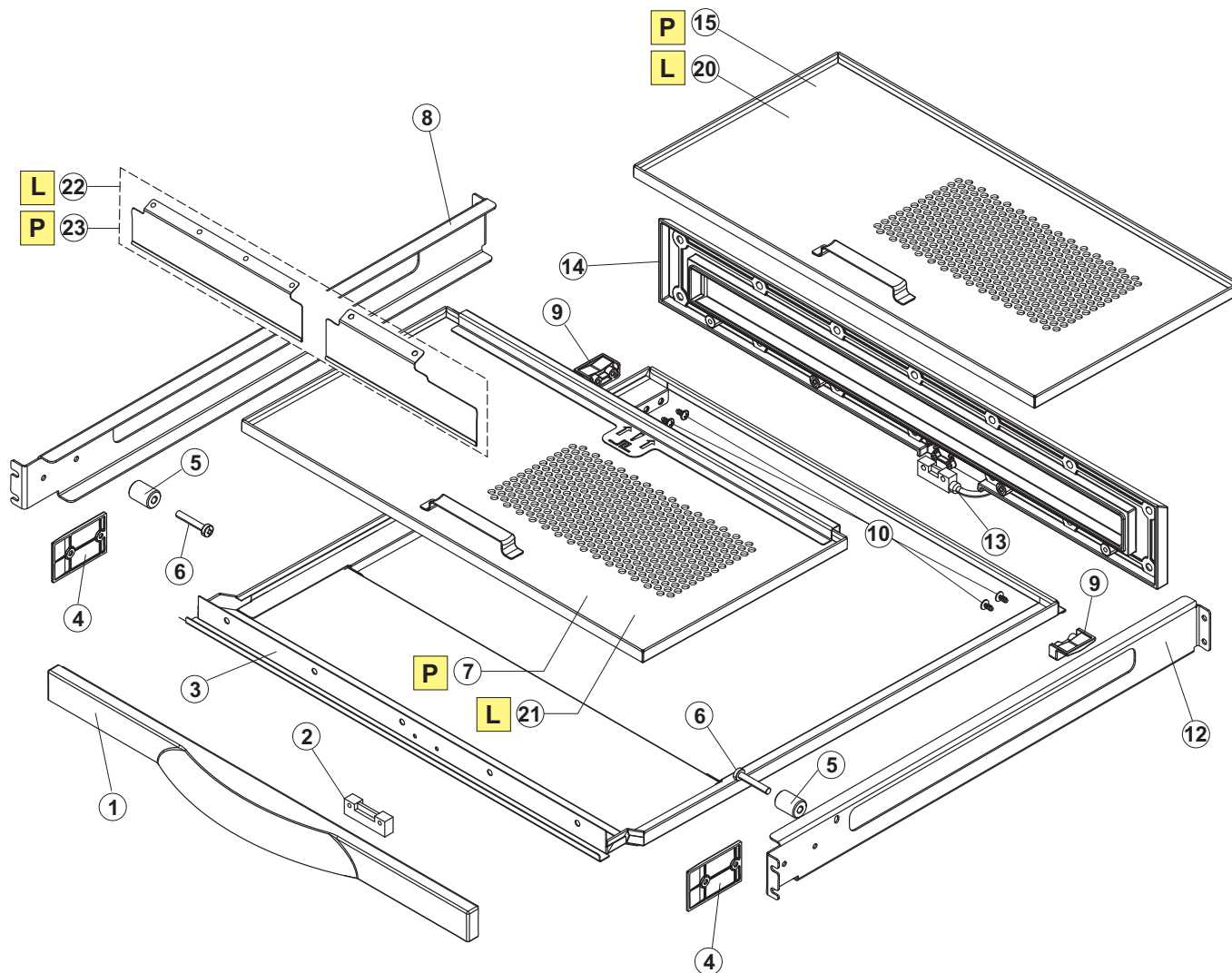
# Exploded view

Explodierte Ansicht | Dessin technique | Rozkres  
Vista en despiece ordenado



A 270 W ABT LX CTTA 9

Exploded view 13/14



<b>L</b>		Výstup vlevo
<b>P</b>		Výstup vpravo

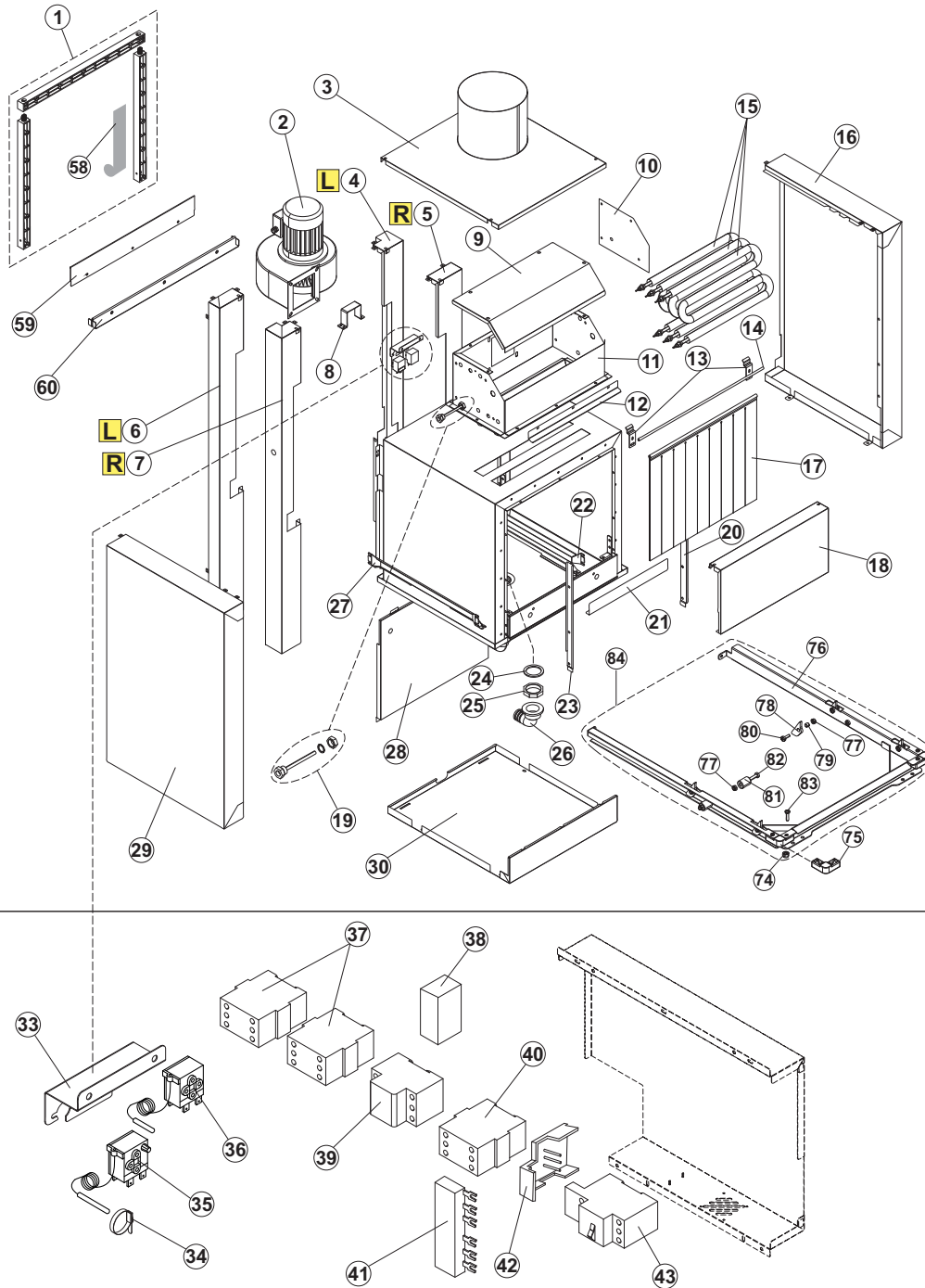
# Exploded view

Explodierte Ansicht | Dessin technique | Rozkres  
Vista en despiece ordenado



A 270 W ABT LX CTTA 9

Exploded view 14/14



<b>L</b>		Výstup vlevo
<b>P</b>		Výstup vpravo

# Exploded view

Explodierte Ansicht | Dessin technique | Rozkres  
Vista en despiece ordenado



A 270 W ABT LX CTTA 9

ARTICLE	NUMBER	POSITION	PAGE
NOT IN PRICE-LIST	65244	1	1
BACK PANEL	65080	2	1
FRONT PANEL	65035	3	1
CORNER REAR RIGHT PANEL	65258	4	1
SUPPORTING UPRIGHT	65337	5	1
SIDE PANEL	65054	6	1
FOOT	73100	7	1
FRONT PANEL	65287	8	1
KIT DOOR WASH UNIT	K65282	9	1
DOOR SPRING KIT	65654	10	1
CORNER FRONT RIGHT PANEL	65338	11	1
CORNER REAR LEFT PANEL	65259	14	1
TOP PANEL	65050	15	1
BRACKET	65256	16	1
MAGNETIC DOOR SWITCH	80871	17	1
MAGNET FOR HOOD MICROSWITCH (	927088 (CWM7)	18	1
DOOR SAFETY HOOK FOR RACK-CONVEYOR	75064	21	1
SLIDES CONVEYOR DOOR	75647	22	1
NOT IN PRICE-LIST	65096	1	2
TOP PANEL	65541	2	2
NOT IN PRICE-LIST	65618	3	2
NOT IN PRICE-LIST	65081	4	2
LOWER ESTERNAL FRONT PANEL - FINISHED	75307	5	2
FOOT	73100	6	2
RACK SLIDE	65052	7	2
TOWING RACK	65370	9	2
SLED CART TOWING	75075	10	2
KIT GROUP FRAME JUNCTION TOWING MODULE	K65049	11	2
HORIZONTAL BAR	65047	12	2
VERTICAL L BAR	65045	13	2
STAINLESS STEEL SCREW 4MAX10 TBCR-SP	486169 (REB486169)	14	2
NUT - SELF-LOCK	CDI206AU	15	2
BUFFER FOR DRIVE STOP	75076	16	2
SCREW	75310	17	2
GASKET	65997	18	2
SCREW, INOX SPEC.6MAX16 T.1/2 T. POELIER	CVI172	19	2
RACK CONVEYOR COG	75071	20	2
BUSH	75077	21	2

# Exploded view

## Explodierte Ansicht | Dessin technique | Rozkres Vista en despiece ordenado



A 270 W ABT LX CTTA 9

ARTICLE	NUMBER	POSITION	PAGE
INNER LOWER FRONT PANEL - FINISHED PART	65308	23	2
RACK SLIDE	65052	27	2
NOT IN PRICE-LIST	65646	34	2
BRACKET UNION TANKS	65055	35	2
CURTAIN SUPPORT FOR RACK-CONVEYOR DISH-	75124	1	3
SUPPORT BRACKET	65128	2	3
CURTAIN	65210	3	3
CURTAIN SUPPORTING BRACKET	65162	4	3
CURTAIN	65211	5	3
WASHPUMP	65600	6	3
COMPLETE WASH ARM	75616	7	3
O-RING	CGR4131NT	8	3
CONNECTING ARM	75645	9	3
GASKET	437050 (REB437050)	10	3
PIPE FITTING	75155	11	3
NOT IN PRICE-LIST	CFS32	12	3
DELIVERY WASH HOSE	75154	13	3
PIPE	65177	14	3
CURTAIN	65210	15	3
CLAMP, TORRO W1/W2B 50-70/12	CFS2	16	3
PIPE	65624	17	3
BRACKET	65330	19	3
CLAMP, HOSE-TYPE TORRO W2B 60-80/12	CFS3	20	3
PIPE ELBOW	926056 (DZG461)	21	3
PUMP ASPIRATION FILTER	75661	23	3
PIPE + PARZ.77018	K65176	24	3
ASPIRATION FILTER SLIDE	42092 (C.42092)	25	3
PIPE	65623	26	3
WASHER	472061	27	3
BRACKET	65293	28	3
OVERFLOW PIPE	75866	29	3
SUPPORT BRACKET WASH ARM	65212	30	3
O-RING	CGR4131NT	31	3
DRAIN CONNECTION	75871	32	3
GASKET	75873	33	3
NUT WASTE DRAIN	75872	34	3
DRAIN FITTING (PLASTIC)	75639	35	3
NOT IN PRICE-LIST	DAS20206	36	3

# Exploded view

## Explodierte Ansicht | Dessin technique | Rozkres Vista en despiece ordenado



A 270 W ABT LX CTTA 9

ARTICLE	NUMBER	POSITION	PAGE
PRESSURE SWITCH	926049 (DEP45)	37	3
SCREW	CVZ4	38	3
COLLECTING FILTER WITH WEIGHT	75429	39	3
WEIGHT FOR BASKET STAINER	75428	40	3
SCREW, INOX 4MAX10 TC/CROSS	CVI1101	41	3
NUT - SELF-LOCK	417091	42	3
TANK FLAT STAINLESS STEEL FILTER	65200	43	3
HOSE CLAMP	CFS1A	47	3
AIR TRAP, ASSY	984005 (REB984005)	50	3
LINEN RUBBER PIPE 5X12 - BLACK	143005 (SPG10)	51	3
AIR TRAP CONNECTION OF PRESSURE SWITCH	468029 (REB468029)	52	3
O-RING	456020 (REB456020)	53	3
PACKING FOR AIR TRAP OF PRESSURE SWITCH	437019 (REB437019)	54	3
CONNECTING ARM	75648	55	3
SUPPORT TEMPERATURE PROBE	H.775489-001	57	3
TEMPERATURE PROBE	231016	58	3
HEATING ELEMENT 10500W 230/400V	80397C	59	3
O-RING	456002 (REB456002)	60	3
BOILER HEATING ELEMENT PROTECTION	69870	61	3
THERMOSTAT	927057	62	3
RINSE ARM	65787	1	4
BRACKET	65593	2	4
RINSE ARM	65515	3	4
STAINLESS STEEL RINSE SPRAY NOZZLE	77068	4	4
RINSE ARM	65523	5	4
BRACKET	65585	6	4
RINSE ARM	65784	7	4
STAINLESS STEEL NOZZLE - FIRST RINSING	927309 (CSP251)	8	4
BRACKET	65527	9	4
O-RING 2050 12.42X1.78 EPDM 70SH A	65727	10	4
BRACKET	65015	11	4
GASKET ES/AM VERDE 33X21X1,5	65749	12	4
PIPE FITTING	66945	13	4
RUBBER PIPE 12X19,5	143010 (SPG61)	14	4
JUNCTION "Y"	143268	15	4
MAINFOLD	77060	16	4

# Exploded view

Explodierte Ansicht | Dessin technique | Rozkres  
Vista en despiece ordenado



A 270 W ABT LX CTTA 9

ARTICLE	NUMBER	POSITION	PAGE
RINSE DELIVERY TUBE(CRP)	41525	17	4
RINSE ARM	65521	19	4
RINSE ARM	65785	20	4
SUPPORT BRACKET RINSE ARM	65588	21	4
STAINER	65975	22	4
RING NUT	429077	23	4
GASKET	437107	24	4
ASPIRATION AND DRAIN BODY	136029	25	4
NOT IN PRICE-LIST	20206PZ	26	4
PRESSURE SWITCH 140/95	65813	27	4
SCREW	CVZ4	28	4
PIPE	143131 (SPG47)	29	4
AIR TRAP FOR PRESSURE SWITCH	107013	30	4
O-RING	456073	31	4
DRAIN HOSE	127115	32	4
HOSE CLAMP	927322 (CFS14)	33	4
DRAIN PUMP90- V 220/240- F50	999363	34	4
NOT IN PRICE-LIST	65663	35	4
NOT IN PRICE-LIST	65805	36	4
ELECTROPUMP	929167 (DPE112)	37	4
NOT IN PRICE-LIST	65667	38	4
NOT IN PRICE-LIST	65660	39	4
STEEL TUBE	65806	40	4
BRASS RUBBER-PIPE HOLDER CONNECTION 3/8	929163 (DZR2622)	41	4
UNION ELBOW 3/8" AISI316	65876	42	4
NOT IN PRICE-LIST	CFS32	45	4
RINSE PIPE L 200 RACC 90	65747-A	75	4
RINSE PIPE L 580 RACC 90	65747-C	76	4
THERMOSTAT	927057	1	5
PROBE HOLDER	69871	2	5
TEMPERATURE PROBE	231016	3	5
BOILER HEATING ELEMENT PROTECTION	69870	4	5
O-RING	456002 (REB456002)	5	5
CLOSED FLANGE CAP (170880543)	926053 (DWT100)	6	5
HEATING ELEMENT 6KW	230083C (REB230083C)	7	5
KIT HEATING ELEMENTS REB230020 (8KW)	230020C (REB230020C)	8	5
READY-TO-ASSEMBLE KIT FOR HEATING	80398C (C.80398C)	9	5

# Exploded view

## Explodierte Ansicht | Dessin technique | Rozkres Vista en despiece ordenado



A 270 W ABT LX CTTA 9

ARTICLE	NUMBER	POSITION	PAGE
BOILER	65700	10	5
PIPE	65069	11	5
PIPE FITTING	65018	13	5
COVER INSULATION	65245	14	5
RUBBER PIPE 12X19,5	143010 (SPG61)	15	5
BRACKET	65582	16	5
SUPPORT BRACKET RINSE ARM	65588	17	5
RINSE ARM	65788	18	5
STAINLESS STEEL RINSE SPRAY NOZZLE	65951	19	5
O-RING 2050 12.42X1.78 EPDM 70SH A	65727	20	5
INTERNAL RINSE PIPE FITTING AISI303	65883	21	5
PIPE FITTING	66945	22	5
JUNCTION "Y"	143268	23	5
BREAK TANK	65388	24	5
COVER	65390	25	5
NOT IN PRICE-LIST	65608	26	5
RINSE DELIVERY TUBE(CRP)	41525	27	5
GASKET	437041 (REB437041)	28	5
INLET HOSE	143277	29	5
HOSE CLAMP	927322 (CFS14)	31	5
PIPE	143131 (SPG47)	33	5
AIR TRAP, ASSY	984005 (REB984005)	34	5
SPLASH PROTECTION	41059 (C.41059)	35	5
ELECTROPUMP	929167 (DPE112)	36	5
RING NUT	429036 (REB429036)	37	5
PACKING FOR DRAIN UNIT RING NUT (S6666)	437025 (REB437025)	38	5
NUT - CHROMIUM PLATED	CDO134CR	39	5
NOT IN PRICE-LIST	75621	40	5
PRESSURE SWITCH	224031	41	5
PIPE CONNECTION	927326 (DZR666)	43	5
SOLENOID VALVE	240016 (DEV3S16)	44	5
FLOW REDUCER	75976	45	5
NOT IN PRICE-LIST	CFS32	47	5
RINSE ARM	65545	50	5
GASKET ES/AM VERDE 33X21X1,5	65749	59	5
RINSE PIPE L 200 RACC 90	65747-A	75	5
RINSE PIPE L 380 RACC 90	65747-B	76	5

# Exploded view

Explodierte Ansicht | Dessin technique | Rozkres  
Vista en despiece ordenado



A 270 W ABT LX CTTA 9

ARTICLE	NUMBER	POSITION	PAGE
WASHER	75058	1	6
PIVOT	75234	2	6
SPLASH PROTECTION	75649	3	6
GEAR SHAFT CONVEYOR	65235	4	6
GEARED MOTOR KEY	65235C	5	6
UPPER FLANGE SHAFT CONVEYOR	K75141	6	6
GASKET	75168	7	6
LOWER BUSH & SEAL	K75057	8	6
GEARMOTOR SW050PA MEC71B5 I=30	65921	9	6
MOTOR 180W V 400	927105 (DPM1205)	10	6
SPRING	CMT13	11	6
SCREW	60354	12	6
RACK CONVEYOR	75869	13	6
RACK SLIDE RACKCONVEYOR ONLY SPARE PART	K65024	14	6
KIT PROTECTIVE PLATE OF SPLASHING WATER	K75649	15	6
SCREW	75310	16	6
BUFFER FOR DRIVE STOP	75076	17	6
NUT - SELF-LOCK	CDI206AU	18	6
RACK CONVEYOR HANDLE	75073	19	6
MAGNET FOR HOOD MICROSWITCH	927088 (CWM7)	20	6
BUSH	75077	21	6
RACK CONVEYOR COG	75071	22	6
SCREW, INOX SPEC.6MAX16 T.1/2 T. POELIER	CVI172	23	6
SLED CART TOWING	75075	24	6
NOT IN PRICE-LIST	65022	25	6
BRACKET ECONOMIZER	75110	26	6
OPERATED RINSING LEVER	65695	27	6
STAINLESS STEEL SCREW 4MAX10 TBCR-SP	486169 (REB486169)	28	6
NOT IN PRICE-LIST	65217	29	6
TOWING RACK	75868	30	6
MICROSWITCH	927246 (DEM11NT)	32	6
SEAL RING MIM 30X40X7 (MIM 30407)	927095 (DWA202)	33	6
SUPPORT BRACKET	75218	35	6
MAGNETIC DOOR SWITCH	80871	45	6
PANEL FOR ELECTRICAL COMPONENTS	65680	1	7
BAR ELECTRICAL CONNECTION	80829	2	7
POWER CONNECTOR	80826	3	7
CONNECTOR	73830	4	7

# Exploded view

Explodierte Ansicht | Dessin technique | Rozkres  
Vista en despiece ordenado



A 270 W ABT LX CTTA 9

ARTICLE	NUMBER	POSITION	PAGE
CONTACTOR	73351	5	7
TERMINAL BLOCK	927115 (DEM4L)	6	7
NOT IN PRICE-LIST	74938	7	7
NOT IN PRICE-LIST	74939	8	7
ELECTRICAL CONNECTOR FOR U-SHAPED BAR	75817	9	7
COVER	65683	10	7
MAIN BOARD	74903	11	7
FUSE-HOLDER	74935	12	7
PLUG	H.228048	13	7
FUSE	228014	14	7
RELAY 16A 230V	929115 (DER1108)	15	7
MAIN BOARD 215042+ FIRMWARE26(FW_0_XXA.Q014)	215042-2	16	7
FUSE	228010	17	7
CONTACTOR	73350	18	7
TERMINAL BLOCK	75983	20	7
AUTOMATIC SWITCH	DEI38N	21	7
AUTOMATIC SWITCH	DEI36N	22	7
FUSE-HOLDER - TRIPOLAR GK1-DF	927038 (DEP2F)	23	7
NOT IN PRICE-LIST	74940	24	7
INTERFACE BOARD DISTANCE KEEPERS	419036	27	7
NUT	417119	28	7
CONTROL KEYBOARD	74901	29	7
CONTROL ADHESIVE INTERFACE A200ABT, A270ABT RM	66720	30	7
FLAT CABLE WITH PROTECTIVE SHEATH	74933	31	7
BRACKET	65491	32	7
NOT IN PRICE-LIST	74936	33	7
PLUG	65981	34	7
PVC CURTAIN FOR ELECTRIC PROTECTION	214088	38	7
WASHPUMP	65600	1	8
MOTOR FAN COVER	66456	2	8
FAN	66457	3	8
FIXED SHAFT SEAL (1033R)	66452	4	8
ROTATING MECHANICAL SEAL(1032R)	66453	5	8
O-RING 3877R	66455	6	8
IMPELLER 3878D 125 DIAM 125(POMPA 65600)	66454	7	8
PUMP HOUSING (3868R)	66451	8	8
SUPPORT BRACKET	65329	9	8
FRONT PANEL	65482	1	9
SLIDES CONVEYOR DOOR	75647	2	9

# Exploded view

Explodierte Ansicht | Dessin technique | Rozkres  
Vista en despiece ordenado



A 270 W ABT LX CTTA 9

ARTICLE	NUMBER	POSITION	PAGE
NOT IN PRICE-LIST	65617	3	9
SIDE PANEL	65054	4	9
CONVEYOR DOOR	65534	5	9
DOOR SPRING KIT	77560	6	9
DOOR SAFETY HOOK FOR RACK-CONVEYOR	75064	7	9
FRONT PANEL	65035	8	9
TOP PANEL	65742	9	9
BRACKET	65256	11	9
MAGNETIC DOOR SWITCH	80871	12	9
NOT IN PRICE-LIST	65540	13	9
SUPPORTING UPRIGHT	65619	14	9
MEDIUM CURTAIN 3 CUTS	65216	15	9
FOOT	73100	16	9
CURTAIN	65210	17	9
CURTAIN SUPPORT FOR RACK-CONVEYOR DISH-	75124	18	9
SUPPORT BRACKET	65128	19	9
CURTAIN SUPPORTING BRACKET	65640	20	9
KIT GROUP FRAME JUNCTION TOWING MODULE	K65049	21	9
HORIZONTAL BAR	65047	22	9
VERTICAL L BAR	65045	23	9
GASKET	65997	28	9
MAGNET FOR HOOD MICROSWITCH	927088 (CWM7)	29	9
BOTTOM STEEL BAR	77527	31	9
NOT IN PRICE-LIST	K66915	32	9
NUT	77524	33	9
DRAIN CONNECTION	77525	34	9
NOT IN PRICE-LIST	65646	37	9
BRACKET UNION TANKS	65055	38	9
RACK CONVEYOR	77830	1	10
PIPE CONNECTION	70996	2	10
PRESSURE SWITCH 115/15	224006 (REB224006)	3	10
NOT IN PRICE-LIST	K65531	4	10
NOT IN PRICE-LIST	K65531	5	10
WASHPUMP	70100	6	10
COMPLETE WASH ARM	75616	7	10
O-RING	CGR4131NT	8	10
CONNECTING ARM	75645	9	10
GASKET	437050 (REB437050)	10	10

# Exploded view

## Explodierte Ansicht | Dessin technique | Rozkres Vista en despiece ordenado



A 270 W ABT LX CTTA 9

ARTICLE	NUMBER	POSITION	PAGE
PIPE FITTING	75155	11	10
NOT IN PRICE-LIST	CFS32	12	10
DELIVERY WASH HOSE	75154	13	10
PIPE	65177	14	10
SUCTION PIPE	80186 (C.80186)	15	10
CLAMP, TORRO W1/W2B 50-70/12	CFS2	16	10
PIPE	65623	17	10
BRACKET	65330	19	10
CLAMP, HOSE-TYPE TORRO W2B 60-80/12	CFS3	20	10
PUMP INLET HOSE	65189	21	10
PUMP ASPIRATION FILTER	75661	23	10
PIPE + PARZ.77018	K65176	24	10
ASPIRATION FILTER SLIDE	42092 (C.42092)	25	10
PIPE	65624	26	10
WASHER	472061	27	10
BRACKET	65293	28	10
OVERFLOW PIPE	77846	29	10
SUPPORT BRACKET WASH ARM	65212	30	10
O-RING	CGR4131NT	31	10
DRAIN CONNECTION	75871	32	10
GASKET	75873	33	10
NUT WASTE DRAIN	75872	34	10
DRAIN FITTING (PLASTIC)	75639	35	10
NOT IN PRICE-LIST	DAS20206	36	10
PRESSURE SWITCH	926049 (DEP45)	37	10
SCREW	CVZ4	38	10
COLLECTING FILTER WITH WEIGHT	75429	39	10
WEIGHT FOR BASKET STAINER	75428	40	10
SCREW, INOX 4MAX10 TC/CROSS	CVI1101	41	10
NUT - SELF-LOCK	417091	42	10
TANK FLAT STAINLESS STEEL FILTER	65200	43	10
HOSE CLAMP	CFS1A	47	10
AIR TRAP, ASSY	984005 (REB984005)	50	10
LINEN RUBBER PIPE 5X12 - BLACK	143005 (SPG10)	51	10
AIR TRAP CONNECTION OF PRESSURE SWITCH	468029 (REB468029)	52	10
O-RING	456020 (REB456020)	53	10
PACKING FOR AIR TRAP OF PRESSURE SWITCH	437019 (REB437019)	54	10

# Exploded view

Explodierte Ansicht | Dessin technique | Rozkres  
Vista en despiece ordenado



A 270 W ABT LX CTTA 9

ARTICLE	NUMBER	POSITION	PAGE
CONNECTING ARM	75648	55	10
SCREW	75310	65	10
BUFFER FOR DRIVE STOP	75076	66	10
NUT - SELF-LOCK	CDI206AU	67	10
NOT IN PRICE-LIST	929165T	68	10
STAINLESS STEEL SCREW 4MAX10 TBCR-SP	486169 (REB486169)	69	10
SLED CART TOWING	75075	70	10
PIPE	65622	76	10
PUMP INLET HOSE	65269	77	10
CURTAIN SUPPORT FOR RACK-CONVEYOR DISH-	75124	1	11
SUPPORT BRACKET	65128	2	11
CURTAIN	65210	3	11
FRONT PANEL	65035	4	11
TOP PANEL	65542	5	11
NOT IN PRICE-LIST	65249	6	11
CORNER REAR RIGHT PANEL	65258	7	11
BACK PANEL	65381	8	11
BRACKET UNION TANKS	65055	9	11
RACK SLIDE	65368	10	11
KIT GROUP FRAME JUNCTION TOWING MODULE	K65049	11	11
HORIZONTAL BAR	65047	12	11
VERTICAL L BAR	65045	13	11
DRAIN CONNECTION	DZP13	14	11
GASKET	437063 (CGG42)	15	11
PLASTIC NUT 1-1/4	417081 (CDP2)	16	11
GASKET	65997	18	11
NOT IN PRICE-LIST	65569	19	11
RACK SLIDE	65368	20	11
FOOT	73100	21	11
NOT IN PRICE-LIST	65656	22	11
NOT IN PRICE-LIST	65772	23	11
SIDE PANEL	65054	24	11
SEPARATOR UNIT WASHING - PREWASHING	65645	29	11
NOT IN PRICE-LIST	65827	33	11
WASHPUMP	70100	1	12
BRACKET	70105	2	12
ELECTROPUMP FAN COVER	70940	3	12
WASHPUMP FUN	70939	4	12

# Exploded view

Explodierte Ansicht | Dessin technique | Rozkres  
Vista en despiece ordenado



A 270 W ABT LX CTTA 9

ARTICLE	NUMBER	POSITION	PAGE
FLANGE	70941	5	12
WASHPUMP SHAFT SEAL	70942	6	12
O-RING	70943	7	12
ELECTROPUMP IMPELLER	70944	8	12
ELECTROPUMP HOUSING	70945	9	12
HANDLE FOR THE FILTER	65501	1	13
MAGNET FOR HOOD MICROSWITCH	927088 (CWM7)	2	13
STRAINER FRAME	65556	3	13
SIDE SLIDE FOR FILTER	65503	4	13
BUFFER FOR DRIVE STOP	75076	5	13
SCREW	75311	6	13
FRONT DRAWER STRAINER FOR PRE-WASH TANK	65477	7	13
NOT IN PRICE-LIST	65871	8	13
SLIDING BLOCK	65508	9	13
SCREW	65999	10	13
NOT IN PRICE-LIST	65872	12	13
MAGNETIC DOOR SWITCH	80871	13	13
KIT STAINER FRAME	K65502	14	13
FRONT DRAWER STRAINER FOR PRE-WASH TANK	65478	15	13
BACK DRAWER STRAINER FOR WASH TANK	65468	20	13
FRONT DRAWER STRAINER FOR WASH TANK	65464	21	13
KIT SPLASHGUARD WASH DOOR	K65565	22	13
KIT SPLASHGUARD PRE-WASH DOOR	K65479	23	13
KIT GROUP FRAME JUNCTION TOWING MODULE	K65049	1	14
STAINLESS STEEL ASPIRATOR 230/400/50HZ (ABB)	65382A	2	14
COVER	65362	3	14
LEFT FRONT CORNER PANEL	65094	4	14
RIGHT BACK CORNER PANEL	65086	5	14
LEFT BACK CORNER PANEL	65087	6	14
RIGHT FRONT CORNER PANEL	65095	7	14
PART NUMBER NO LONGER AVAILABLE	65429	8	14
PLUG	75376	9	14
PLUG	65321	10	14
PART NUMBER NO LONGER AVAILABLE	65347	11	14
WATER DEFLECTOR	66428	12	14
SUPPORT BRACKET	65128	13	14
CURTAIN SUPPORT FOR RACK-CONVEYOR DISH-	75124	14	14
HEATING ELEMENT	927245	15	14
BACK PANEL	65160	16	14

# Exploded view

## Explodierte Ansicht | Dessin technique | Rozkres Vista en despiece ordenado



A 270 W ABT LX CTTA 9

ARTICLE	NUMBER	POSITION	PAGE
CURTAIN EXIT DRYING UNIT	65228	17	14
FRONT PANEL	65035	18	14
PROBE HOLDER	65046	19	14
RIGHT SEALING CHANNEL WATER	65430	20	14
WATER DEFLECTOR	65886	21	14
RACK SLIDE	65367	22	14
LEFT SEALING CHANNEL WATER	65431	23	14
GASKET	437063	24	14
PLASTIC NUT 1-1/4	417081	25	14
DRAIN CONNECTION	DZP13	26	14
RACK SLIDE	65367	27	14
DRYER SIDE PANEL	65053	28	14
FRONT PANEL	65156	29	14
LOWER FRONT PANEL FOR DRYING UNIT	66402	30	14
PART NUMBER NO LONGER AVAILABLE	65292	33	14
HOSE CLAMP	75969	34	14
THERMOSTAT 200 C	927106	35	14
THERMOSTAT - 3 CONTACTS - 90C TYPE	929107	36	14
CONTACTOR	73351	37	14
AUXILIARY CONTACT FOR AUTOMATIC SWITCH	DEI3N	38	14
FUSE-HOLDER - TRIPOLAR GK1-DF	927038	39	14
CONTACTOR	73350	40	14
BAR ELECTRICAL CONNECTION	80829	41	14
CONNECTOR	73830	42	14
AUTOMATIC SWITCH	DEI36N	43	14
GASKET	65997	58	14
SEPARATOR UNIT WASHING - PREWASHING	65645	59	14
BRACKET UNION TANKS	65055	60	14
PART NUMBER NO LONGER AVAILABLE	CDI204AU	74	14
SLED CART TOWING	75075	75	14
PART NUMBER NO LONGER AVAILABLE	75768	76	14
NUT - SELF-LOCK	CDI206AU	77	14
RACK CONVEYOR COG	65897	78	14
BUSH	75077	79	14
SCREW	75310	80	14
BUFFER FOR DRIVE STOP	75076	81	14
SCREW	75311	82	14
PART NUMBER NO LONGER AVAILABLE	75315	83	14
RACK CONVEYOR	75769	84	14